

Parts Lists

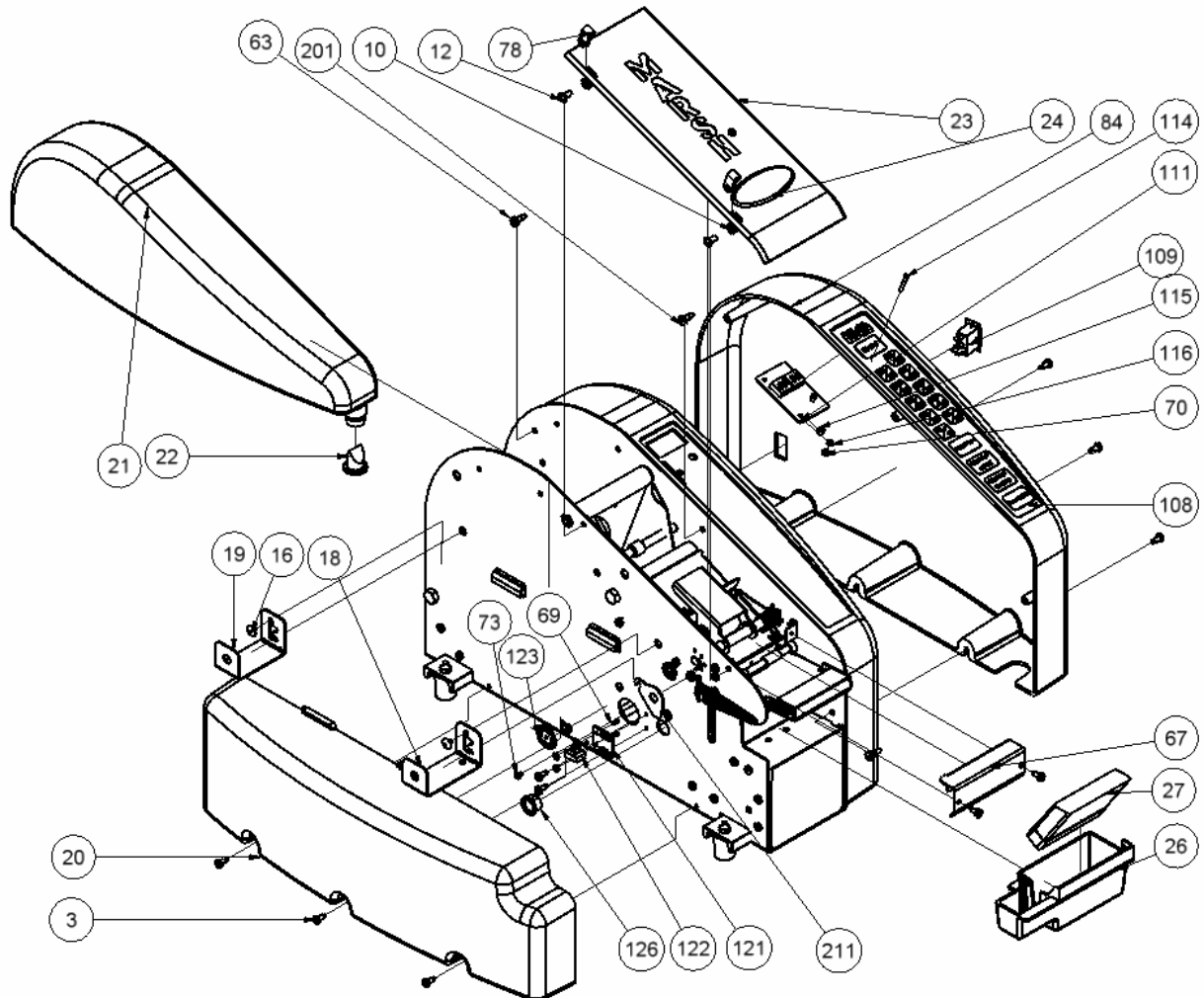
Replacement Part Table for
TD 2100 Electric Drawing #1

Replacement Part Number	Description	Item Number	Item Description	Quantity
RP40310	Top Cover Assembly	23	Top Cover	1
		24	Logo	1
		10	Nut	2
		78	Hinge	2
		12	Screw	2
RP40311	Top Cover Hinge with Screw	78	Hinge	2
		10	Nut	2
		12	Screw	2
RP40401	Water Bottle with Valve	21	Bottle	1
		22	Duckbill Valve	1
RP40403	Front Water Bottle Bracket with Screw	18	Bracket	1
		16	Screw	1
RP40404	Rear Water Bottle Bracket with Screw	19	Bracket	1
		16	Screw	1
RP40405	Brush Tank	26	Tank	1
RP40407	Moistening Brush	27	Brush	1
RP42301	Right Side Cover Assembly	84	Side Cover	1
		114	Screw	1
		3	Screw	3
		63	Screw	1
		108	Keypad	1
		201	Screw	2
		109	Switch	1
		111	Display Board	1
		115	Standoff	1
		116	Washer	1
		70	Nut	1
NS	Keypad Insert	1		
RP40305	Left Side Cover	20	Side Cover	1
		3	Screw	3
RP42410	Encoder Assembly	73	Screw	1
		122	Encoder Switch	1
		3	Screw	2
		123	Encoder Wheel	1
		121	Encoder Bracket	1
		69	Screw	2
		70	Nut	2
		126	Split Bushing	1
NS	Connectors			

Replacement Part Table for TD 2100 Electric Drawing #1

Replacement Part Number	Description	Item Number	Item Description	Quantity
RP40325	Cutter Guard with Screws	67	Guard	1
		NS	Sticker	1
		3	Screw	2
RP150536	Power Switch	109	Switch	1
RP42405	Display Board and Cable	111	Display Board	1
		NS	Cable	1
RP40825	Fixed Blade Stop	211	Fixed Blade Stop	1

TD 2100 Electric Drawing #1



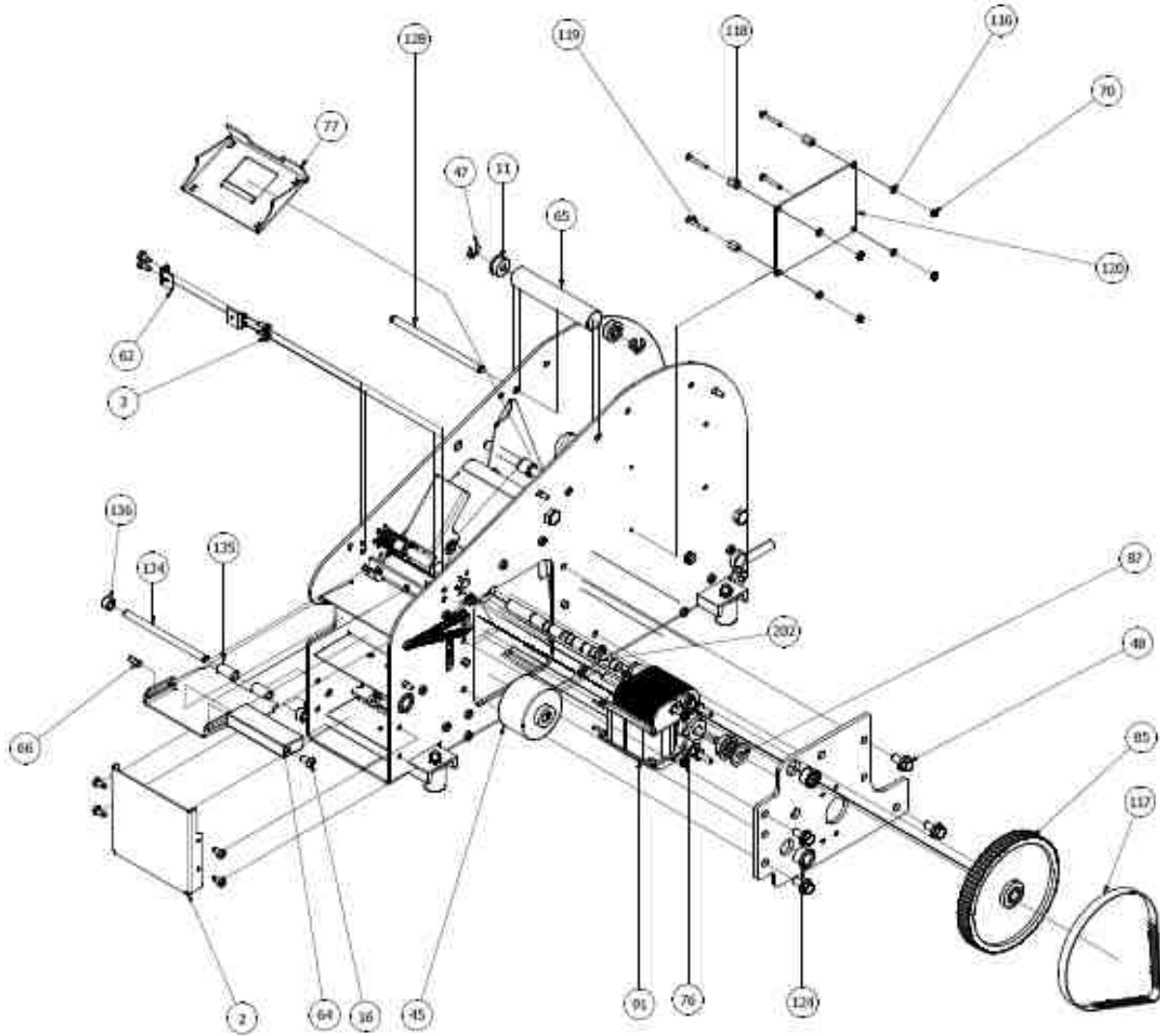
Replacement Part Table for
TD 2100 Electric Drawing #2

Replacement Part Number	Description	Item Number	Item Description	Quantity
RP40230	Feed Wheel Shaft	39	Shaft	1
RP40231	3/8 Bearing	40	Bearing	2
RP40315	Front Cover and Ramp	2	Cover	1
		3	Screw	4
RP40505	Pressure Plate	NS	Sticker	1
		77	Plate	1
RP40516	Brush Tank Cover With Rod and Bushings	135	Weighted Tank Cover	1
		3	Screw	2
		136	Brass Bushing	2
		134	Rod	1
RP40517	Tape Weight with Screw	64	Weight	1
		16	Screw	1
		66	Pin	1
RP40545	Urethane Feed Wheel	45	Wheel	1
		202	Screw	2
RP40570	Complete Slide Roller Assembly	NS	Tube	1
		NS	Bearing	2
		NS	Shaft	1
		NS	Screw	2
		NS	Bracket	2
		NS	Screw	4
RP41101	Gearbox/Motor Mount Frame with Pins	42	Gearbox/Motor Frame	1
		49	Pin	2
RP42210	120V Motor	91	Motor	1
		76	Nut	2
		98	Nut	2
		NS	Connector	1
RP42811	220V Motor	91	Motor	1
		76	Nut	2
		98	Nut	2
		NS	Connector	1

Replacement Part Table for
TD 2100 Electric Drawing #2

Replacement Part Number	Description	Item Number	Item Description	Quantity
RP42220	Small Timing Pulley	87	Pulley	1
		203	Screw	1
RP42230	Large Timing Pulley	85	Pulley	1
		47	Screw	1
RP42240	Timing Belt	117	Belt	1
RP42401	Controller Board Assembly 110V	119	Screw	4
		120	Board 110V	1
		118	Standoff	4
		116	Washer	4
		70	Nut	4
RP40236	Cutter Guard Clip	62	Clip	1
		3	Screw	2
RP42402	Controller Board Assembly 220V	119	Screw	4
		120	Board 220V	1
		118	Standoff	4
		116	Washer	4
		70	Nut	4
RP40522	Top Roller Assembly	129	Roller Tube	1
		15	Bearing	2
		128	Shaft	1
		61	E-Clip	2

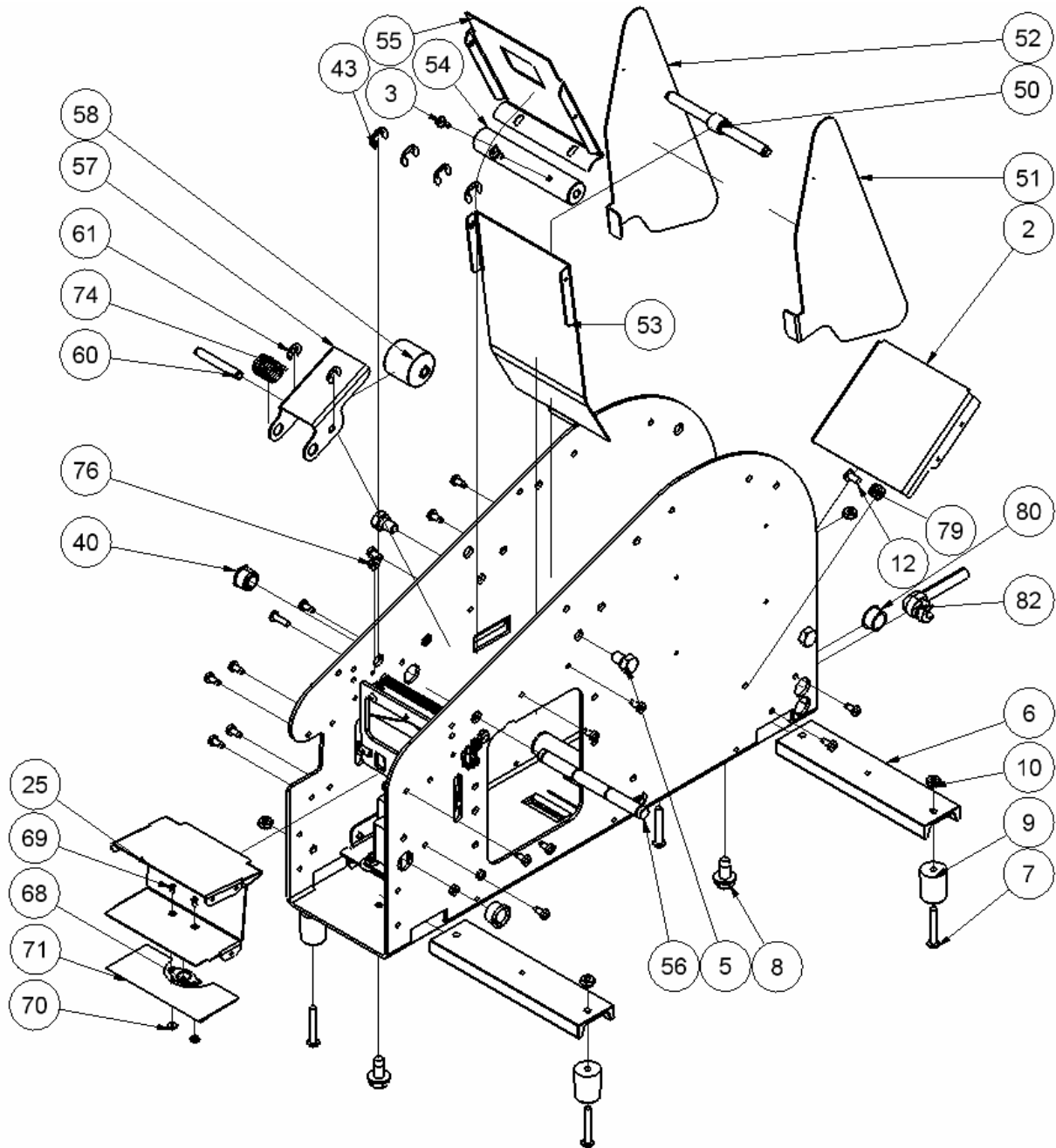
TD 2100 Electric Drawing #2



Replacement Part Table for
TD 2100 Electric Drawing #3

Replacement Part Number	Description	Item Number	Item Description	Quantity
RP40110	Foot Channel	6	Bar	1
		8	Screw	1
RP40115	Rubber Foot	9	Rubber Foot	1
		7	Screw	1
		10	Nut	1
RP40320	Tape Basket/Motor Cover	53	Aluminum Plate	1
		3	Screw	2
RP40515	Tape Channel Plate	55	Plate	1
		3	Screw	2
RP40540	Pinch Roll Assembly	60	Pin	1
		74	Spring	1
		61	E-Clip	2
		56	Shaft	1
		57	Holder	1
		58	Roll	1
RP40550	Tape Guide Assembly	50	Turnbuckle	1
		51	Guide RHS	1
		52	Guide LHS	1
RP40560	Dead Roller	54	Roll	1
		5	Screw	2
RP42956	90° Strain Relief	82	Power Cord Relief	1
RP42957	Dome Plug	80	Plug	1
RP42958	Split Bushing	126	Split Bushing	1
RP42978	Heater/Thermostat Assembly 110V	25	Water Tank Holder	1
		68	Thermostat 110V	1
		69	Screw	2
		70	Nut	2
		71	Heater 110V	1
		3	Screw	7
		NS	Wire	
		NS	Wire Connections	
RP42977	Thermostat Assembly 110V	68	Thermostat	1
		69	Screw	2
		70	Nut	2
		NS	Wire	
		NS	Wire Connections	
RP42810	Heater/Thermostat Assembly 220V	25	Water Tank Holder	1
		68	Thermostat 220V	1
		69	Screw	2
		70	Nut	2
		71	Heater 220V	1
		3	Screw	7
		NS	Wire	
		NS	Wire Connections	

TD 2100 Electric Drawing #3



Replacement Part Table for
TD 2100 Electric Drawing #4

RP40522	Free Spin Roller Assembly	128	Shaft	1
		61	E-Clip	2
RP40580	Coder Roller	4	Roller	1
RP40701	Cutter Replacement Kit	29	Cutter Blade Holder	1
		30	Cutter Blade-Movable	1
		36	Fixed Blade	1
		37	Fixed Blade Shoe	2
		38	Spring	2
		31	Set Screw	1
		73	Screw	2
		33	Screw	2
		28	Bushing	2
		32	Cutter Guide	2
RP40710	Cutter Blade-Movable	30	Cutter Blade-Movable	1
		73	Screw	2
		31	Set Screw	1
RP40715	Cutter Blade-Fixed	36	Fixed Blade	1
		38	Extension Spring	4
		NS	Screw	1
		37	Fixed Blade Shoe	1
RP40740	Cutter Springs-Fixed Blade	38	Extension Spring	4
RP42155	Solenoid Spring	210	Solenoid Spring	1
		3	Screw	2
		NS	Spring Clips	2
		76	Nut	2
RP42150	Solenoid Assembly 110V	102	Solenoid, 110V	1
		101	Mounting Shelf	1
		127	Rubber Washer	4
		103	Screw	4
		208	Nut	4
		107	Screw	1
		105	Washer	1
		108	Nut	1
		106	Bushing	1
		NS	Wires	
NS	Connections			
RP40315	Front Cover and Ramp	2	Cover	1
		3	Screw	4
		102	Solenoid, 220V	1
		101	Mounting Shelf	1
		127	Rubber Washer	4

Replacement Part Table for
TD 2100 Electric Drawing #4

RP42151	Solenoid Assembly 220V	102	Solenoid, 220V	1
		101	Mounting Shelf	1
		127	Rubber Washer	4
		103	Screw	4
		208	Nut	4
		107	Screw	1
		105	Washer	1
		108	Nut	1
		106	Bushing	1
		NS	Wires	
		NS	Connections	

TD 2100 Electric Drawing #4

